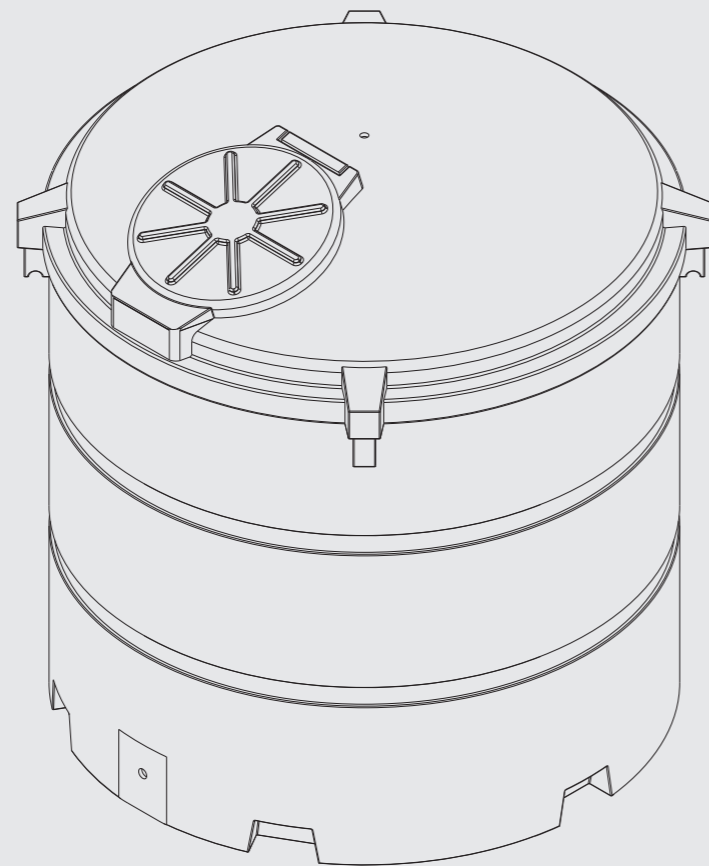


# DESO

## ENGINEERING

Deso Engineering  
Slade Way  
Roughmoor Industrial Estate  
Williton  
Somerset  
TA4 4TB

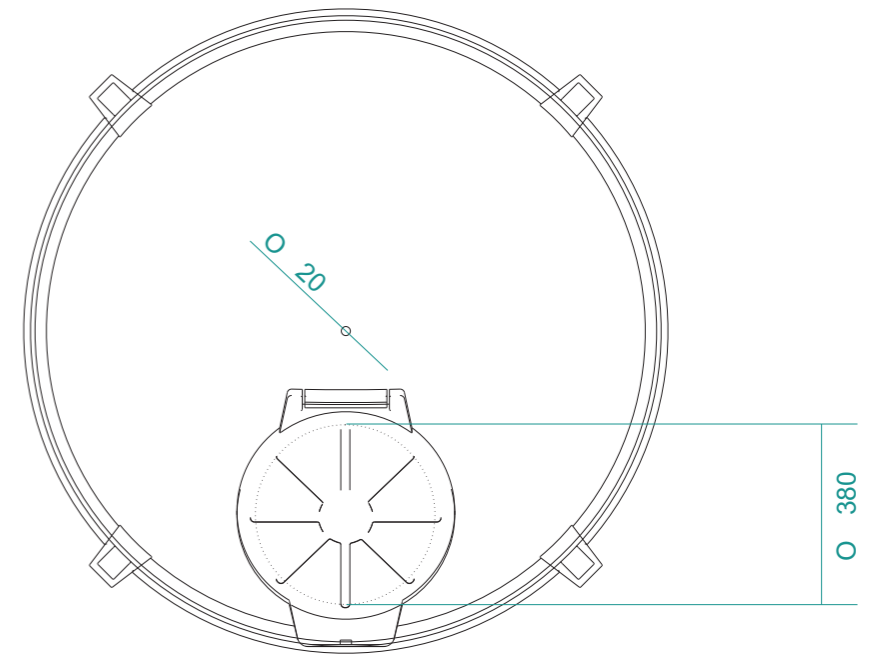
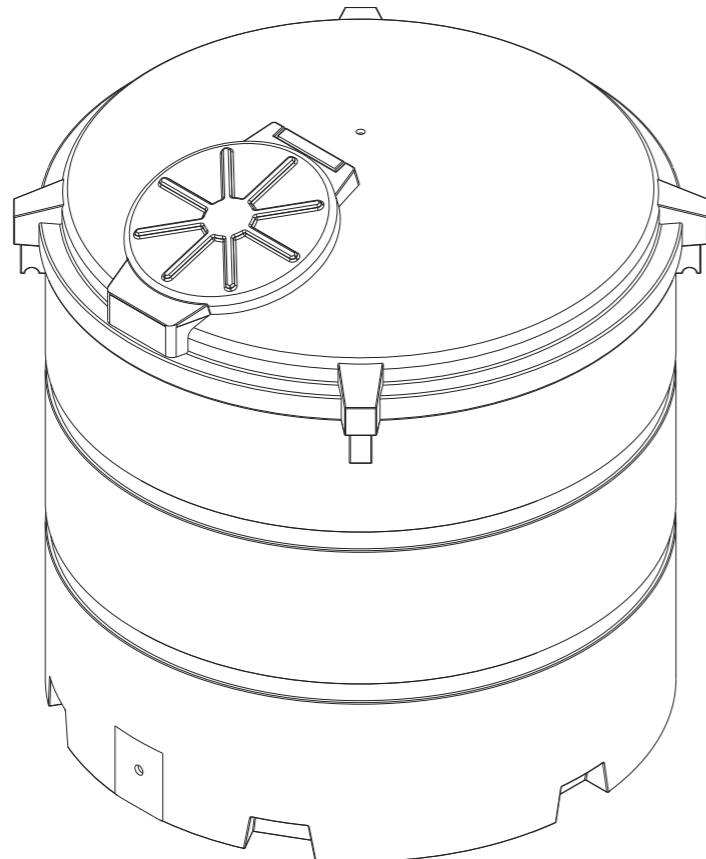
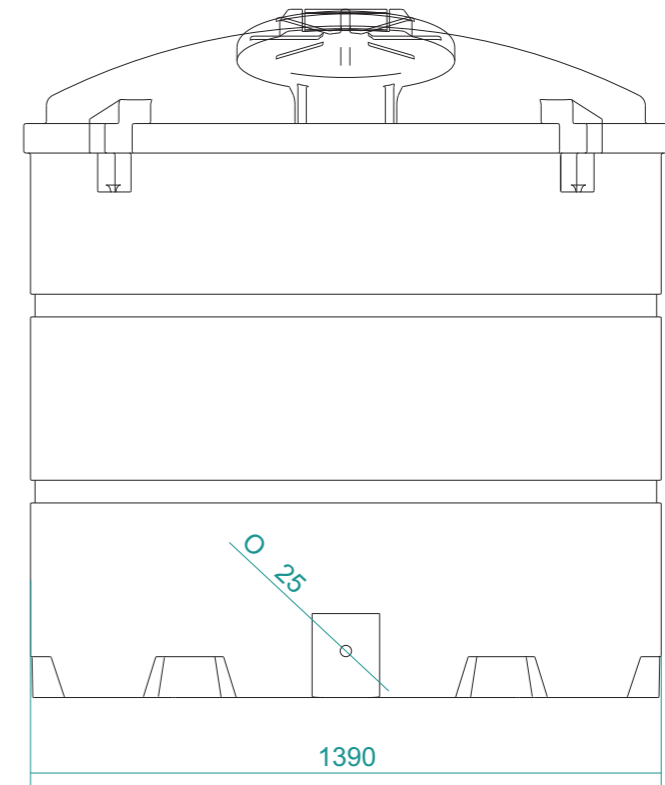
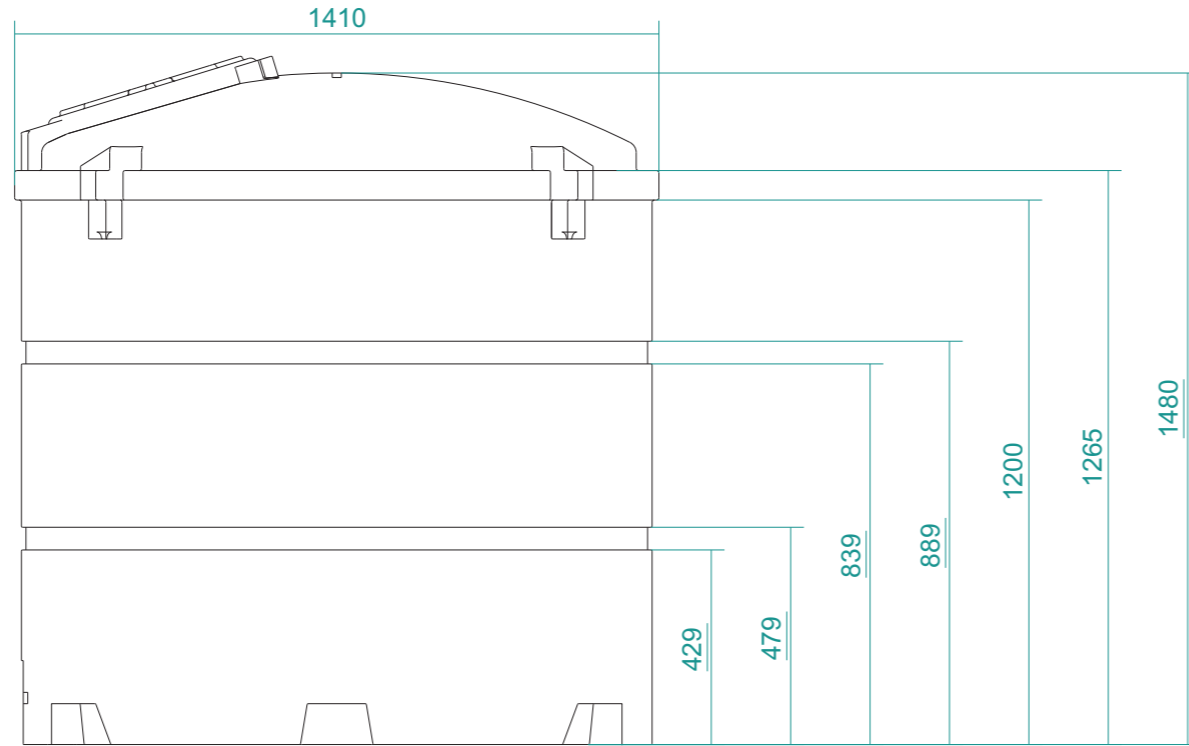
Telephone - 01984 632026  
Fax - 01984 634267  
enquiries@desoengineering.co.uk



# V1340B

|                    |            |
|--------------------|------------|
| Weight             | 107kg      |
| Capacity           | 1340litres |
| Diameter           | 1410mm     |
| Length             | -          |
| Width              | -          |
| Height             | 1500mm     |
| Ofcert licence No. | 0668060210 |

# V1340B



|   |            |                                    |                    |  |
|---|------------|------------------------------------|--------------------|--|
| V1340B  | No. 1 of 1 | 3rd Angle Orthographic             | scale: <b>1:17</b> | Design by Inky Design<br>www.inky-design.co.uk |
| <b>DESO</b><br><b>ENGINEERING</b><br>Telephone - 01984 632026 |            | drawn by: Jonathan Taphouse (BEng) |                    |  |
|   |            | date: 15 - 04 - 2008               | ISO                |  |