

1761 Universal Slip Coupler

PLASSON'S innovative solution for connecting or repairing multiple pipe types with one fitting.



14-18_{mm}
0.55"-0.71"

19-22_{mm}
0.74"-0.86"

24-28_{mm}
0.94"-1.1"

31-35_{mm}
1.22"-1.37"

40-43_{mm}
1.57"-1.69"

48-51_{mm}
1.89"-2.00"

60-64_{mm}
2.36"-2.52"

**SLIDE
N'SEAL**

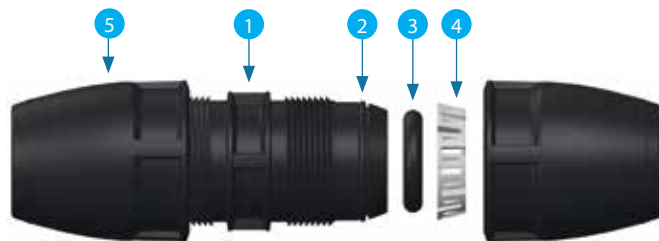
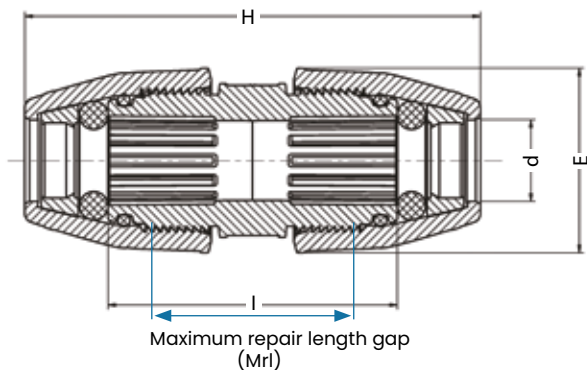


- ⌚ Suits a variety of plastic and metal pipe materials.
- ⌚ Each fitting designed to fit a wide range of diameters.
- ⌚ Zero force pipe insertion – slides freely back and forth.
- ⌚ Large section 'o'-ring seal – compensates for poor pipe quality.
- ⌚ Seal compression increases as pressure increases.
- ⌚ Robust PP body and nut – high impact strength and stress resistance.
- ⌚ Long sealing area – bridge over damaged section or gap between pipes.
- ⌚ Total reliability – PN16, designed to last 50 years.
- ⌚ Suitable for all cold water applications up to 40°.



1761 Universal Slip Coupler

Innovative solution for water supply pipes



- 1. Body: PPH.
- 2. Safety seal: NBR.
- 3. 'O' ring: NBR.
- 4. Grip Ring: Acetal & stainless steel.
- 5. Nut: PPH.

1761 Universal Slip Coupler Universal x Universal

**SLIDE
N' SEAL**



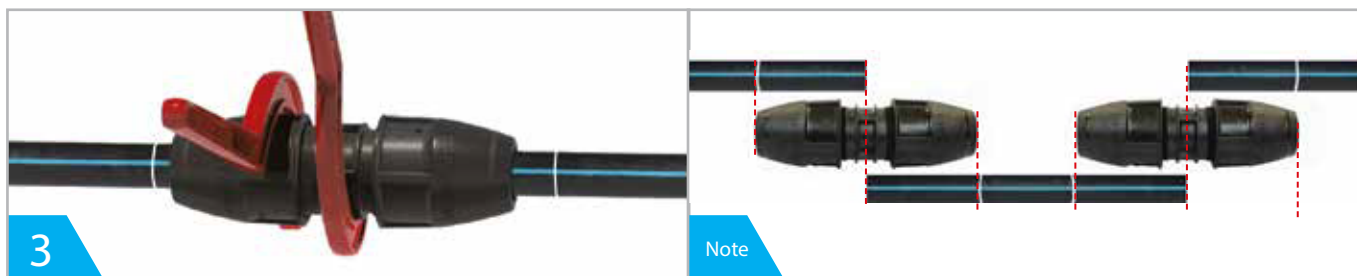
Code	d (popular pipes)	Mrl (Maximum repair length)	H	I	E
PL176100014018	14-18 (15mm, 3/8")	80	180	119	54
PL176100019022	19-22 (20mm, 1/2")	80	180	119	58
PL176100024028	24-28 (25mm, 3/4")	90	200	133	66
PL176100031035	31-35 (32mm, 1")	100	210	143	76
PL176100040043	40-43 (40mm, 1 1/4")	110	250	151	89
PL176100048051	48-51 (50mm, 1 1/2")	120	270	158	101
PL176100060064	60-64 (63mm, 2")	130	310	176	120

Fitting Instructions



1 Mark pipe insertion depth. (approximately half the fitting length). Undo nuts 1 to 2 turns while ensuring they remain on the fitting.

2 Insert each pipe to the marking.



3 Tighten each nut firmly with a Plasson wrench while holding the body with another wrench. The threads should no longer be visible.

Note If using to repair a damaged pipe, please note the maximum repair length. If the damaged section is longer than the Mrl, use two fittings as shown.

Note: If the fitting is reused, make sure metal teeth are present in the split ring.