



McVeigh Parker



GRIPPLE GP FIX SPECIFICATION SHEET



GP Fix offers a simple, fast and safe solution for the quick repair of trellising wires. The innovative two-piece design pushes onto either end of a broken wire, providing extra grip and reach to reattach wires with an easy 'snap' fit. Great tool to have in your bag for emergency repairs.

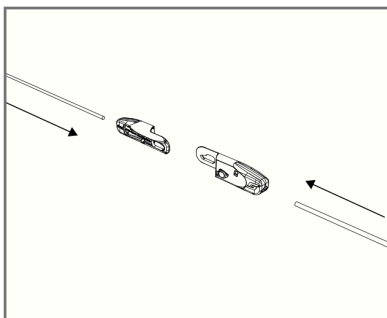
Features/benefits

- **Fast** - Simple snap fit installation ensures a quick on the spot repair
- **Easy** - Provides extra reach on the broken ends, reducing physical effort
- **Secure** - Corrosion resistant zinc alloy and ceramic rollers for long lasting repairs
- **Discreet** - Low, smooth profile and enclosed wires, reducing the risk of catching
- **Practical** - Can be carried in a pocket and doesn't require extra wire
- **Compatible** - Ideal for use with Gripple Plus Medium or GP1 when re-tensioning wire at end posts

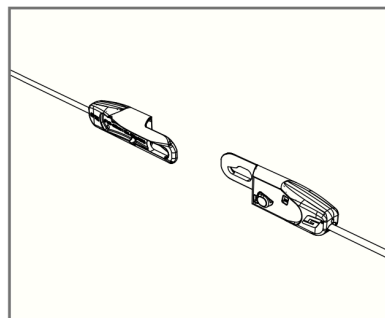


	Wire Range	Ultimate Load Rating
GP Fix	1.80 - 3.20mm / 15-10 SWG	400kg

1.



2.



3.

