



# PRODUCT INFORMATION

REVISION C: FITTING KIT UPDATED: 10:12:2008.

LEAFLET NO: 056L

DATE: 14:03:2006

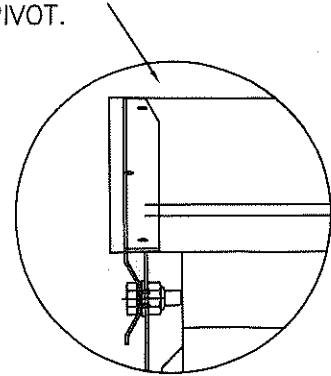
TITLE: F035 2001 08, F035 2001 07

## DOUBLE SIDED LAMB CREEP FEEDER

### DOUBLE SIDED LAMB CREEP FEEDER BOLT SET - B012 0000 70

- 2No. - M8 x 16 SETSCREW BZP - B001 3080 16
- 2No. - M8 FULL NUT BZP - B040 3001 08
- 2No. - M8 WASHER FORM E BZP - B041 3050 08
- 8No. - M10 x 25 SETSCREW BZP - B001 3100 25
- 6No. - M10 FULL NUT BZP - B040 3001 10
- 2No. - M10 NYLOC NUT TYPE T BZP - B040 3002 10
- 10No. -  $\frac{3}{8}$ " TABLE 8 WASHER BZP - B041 3180 04
- 4No. - M10 MUDGUARD WASHER (38mm) BZP - B041 3007 10
- 2No. - 1in WASHER TABLE 7 BZP - B041 3170 10
- 2No. -  $\frac{3}{16}$  x  $1\frac{3}{4}$ in COTTER PIN - B050 4744 45

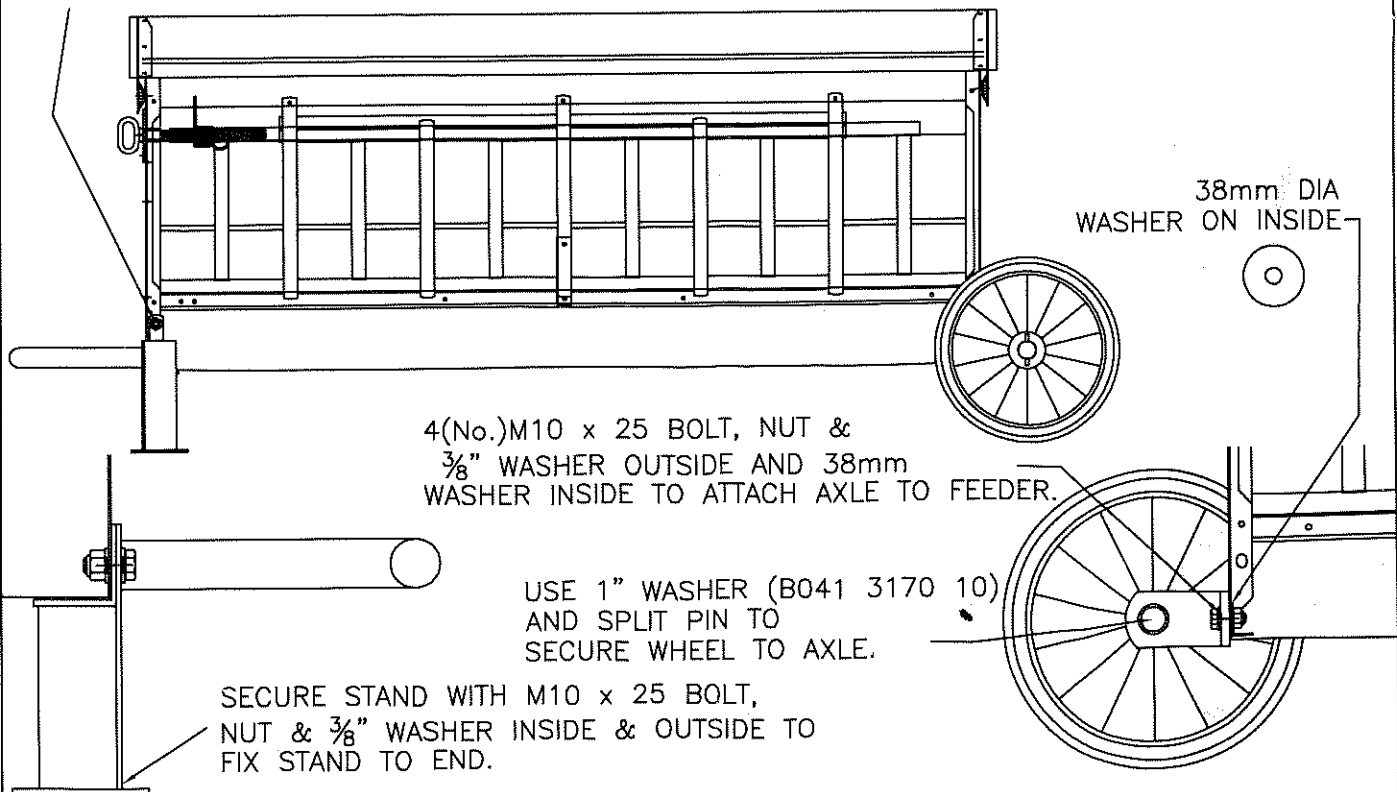
USE M10 x 25 BOLT NYLOC NUT &  $\frac{3}{8}$ " SPACER WASHER TO FORM LID PIVOT.



### ADDITIONAL FIXINGS FOR EXPORT USE - B012 0000 71

- 12 (No.) M5 x 10 SLOTTED PAN HEAD BZP - B024 3050 10
- 12 (No.) M5 FULL NUTS BZP - B040 3001 05

SECURE THE STAND USING M8 x 16 BOLT, NUT AND WASHER ON INSIDE TO FIX SIDE LUG OF STAND TO END FLANGE.



4(No.) M10 x 25 BOLT, NUT &  $\frac{3}{8}$ " WASHER OUTSIDE AND 38mm WASHER INSIDE TO ATTACH AXLE TO FEEDER.

USE 1" WASHER (B041 3170 10) AND SPLIT PIN TO SECURE WHEEL TO AXLE.

SECURE STAND WITH M10 x 25 BOLT, NUT &  $\frac{3}{8}$ " WASHER INSIDE & OUTSIDE TO FIX STAND TO END.

38mm DIA WASHER ON INSIDE

FEEDERS FOR GB USE - LID END IS RIVETED TO LID

FEEDERS FOR EXPORT - LID AND LID ENDS GO LOOSE AND ATTACHED WITH M5 x 10 SLOTTED PAN HEAD & M5 FULL NUT (SUPPLIED).