

2.4M LAMB CREEP FEEDER

SPECIFICATION SHEET

One of our most popular feeders, this double-sided lamb creep feeder is the ideal solution for fattening your lambs. It is constructed from folded galvanised sheet and hot dipped galvanised components with a rubber wheel for a long working life.



Benefits

- Portable - Easily adjusted feed space and easy to fill hopper
- Accelerated growth - Lambs are heavier at weaning and being drafted earlier. This will allow for a reduction in the labour required for herding and handling etc
- Reduced veterinary costs - Because lambs are drafted earlier they will need less dosing and fly strike treatments
- More grass for the ewes pre-mating - On many sheep farms, lambs compete with the ewes for grass during the pre-mating period. Having more grass available pre and post mating can pay large dividends in terms of litter size and ewe body condition
- Higher lamb price - Drafting lambs earlier may result in higher price per kg

- Available in both 1.2m and 2.4m lengths
- Adjustable feed spaces to restrict access to larger animals
- Easy exit lift-up ladder to reduce head entrapment
- 2 wheels on one end, stand/handle on the other (not designed for towing)
- Strong locking large weatherproof lid

Specifications

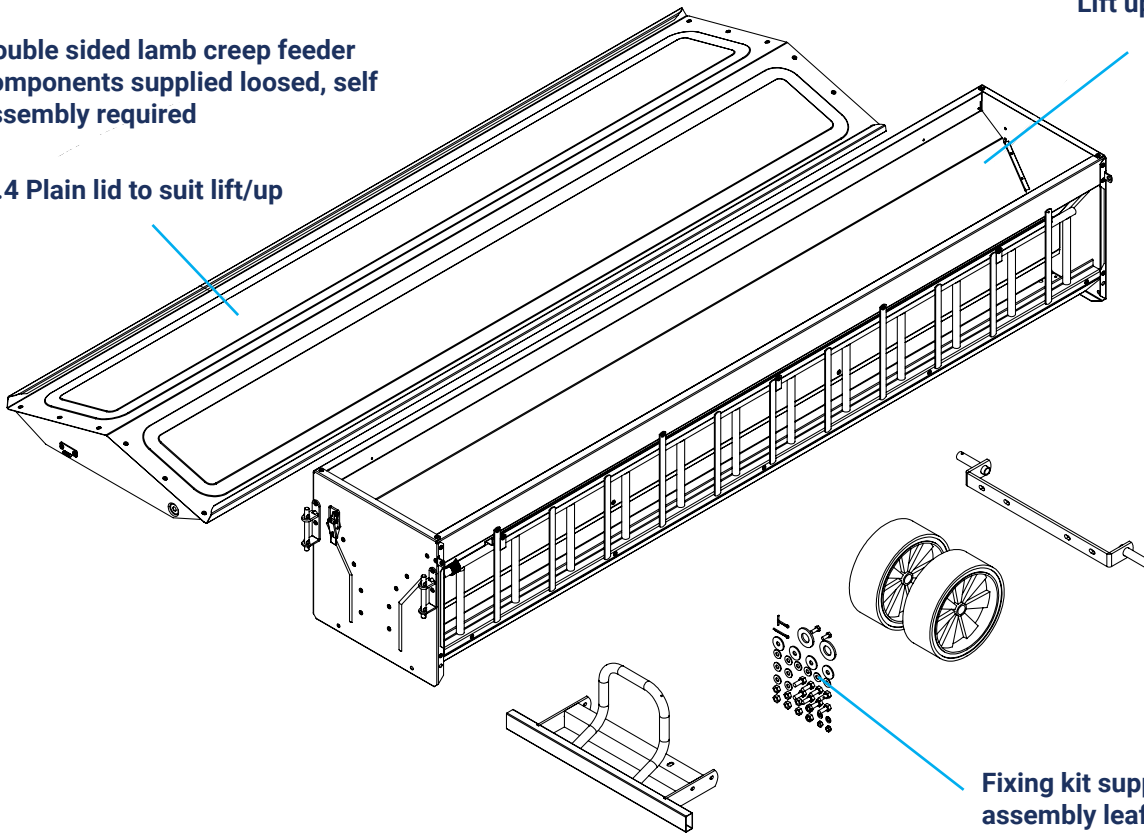
- Width: 460mm (1'4")
- Height: 650mm (2'1")
- Lid Width: 728mm (2'3")
- Wheels: 254mm (10") wheels x 25mm (1") bore rubber tyre.
- 24 feed spaces (designed to feed approx. 35)
- 2440mm (8'0") long
- 234l capacity



Double sided lamb creep feeder components supplied loose, self assembly required

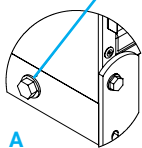
2.4 Plain lid to suit lift/up

Lift up sides



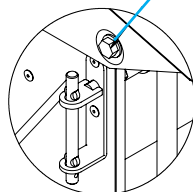
Fixing kit supplied loose with assembly leaflet

Axle and stand secured to main feeder body using M10X25 setscrew and M10 washer and full nut

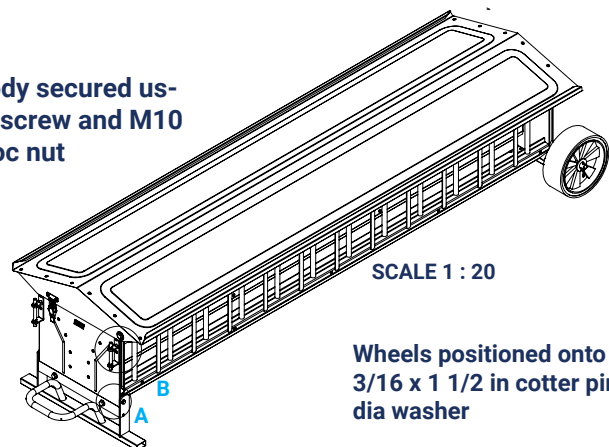


A
SCALE 1 : 5

Lid and main body secured using M10X40 setscrew and M10 washer and nyloc nut



B
SCALE 1 : 5



SCALE 1 : 20

Wheels positioned onto axle using 3/16 x 1 1/2 in cotter pin and 25 dia washer

